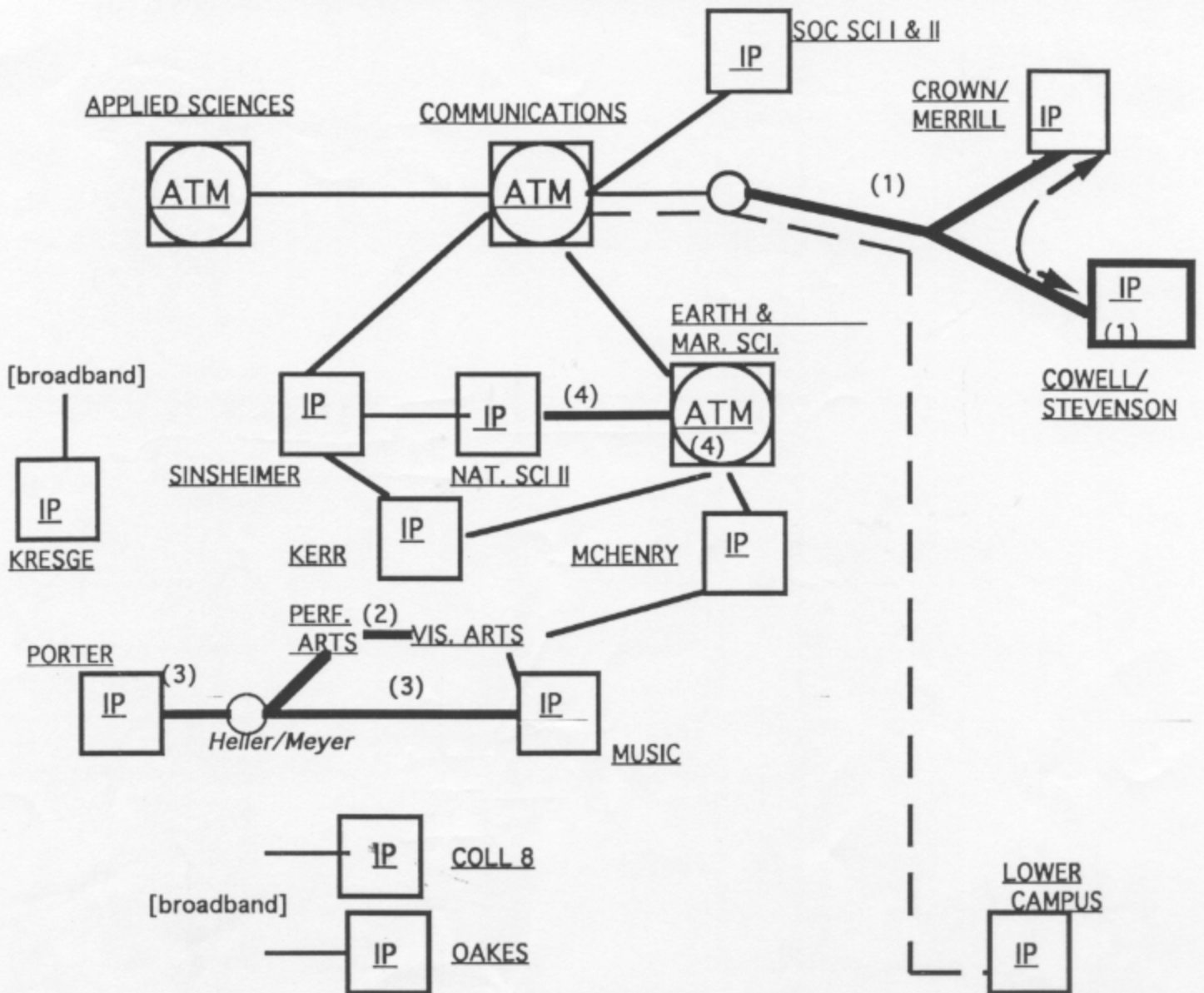
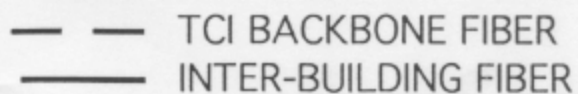
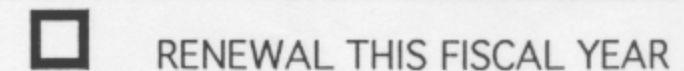
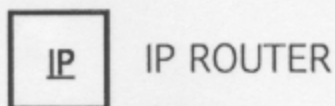
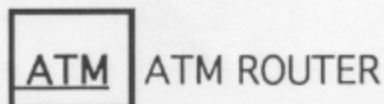
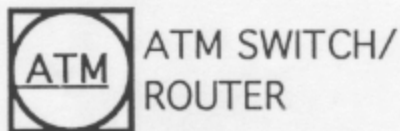


# 1996/97 INTER-BUILDING NETWORK RENEWAL



## LEGEND:



**1996/97 INTER-BUILDING RENEWAL**

(1): Extend FO to E. Side Colleges; replace Cowell router  
 (2): Extend FO from VA to PA  
 (3) Extend FO from Music to Porter; install splice point  
 (4) Install ATM Sw/Rtr @ E&MS & FO from NSII to E&MS