

▶ N5R-100

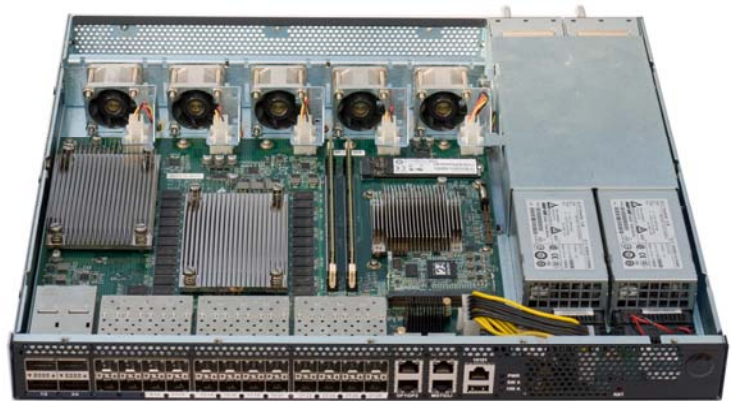
EZchip NP-5 Packet Inspection Appliance

▶ SUMMARY

The N5R-100 is a high-performance 1U network appliance that fits into the standard 19-inch wide rack enclosure.

Features the EZchip NP-5 processors with the Intel Core i7-4700EQ server processor, the N5R-100 offers multi-gigabit I/Os on the front panel.

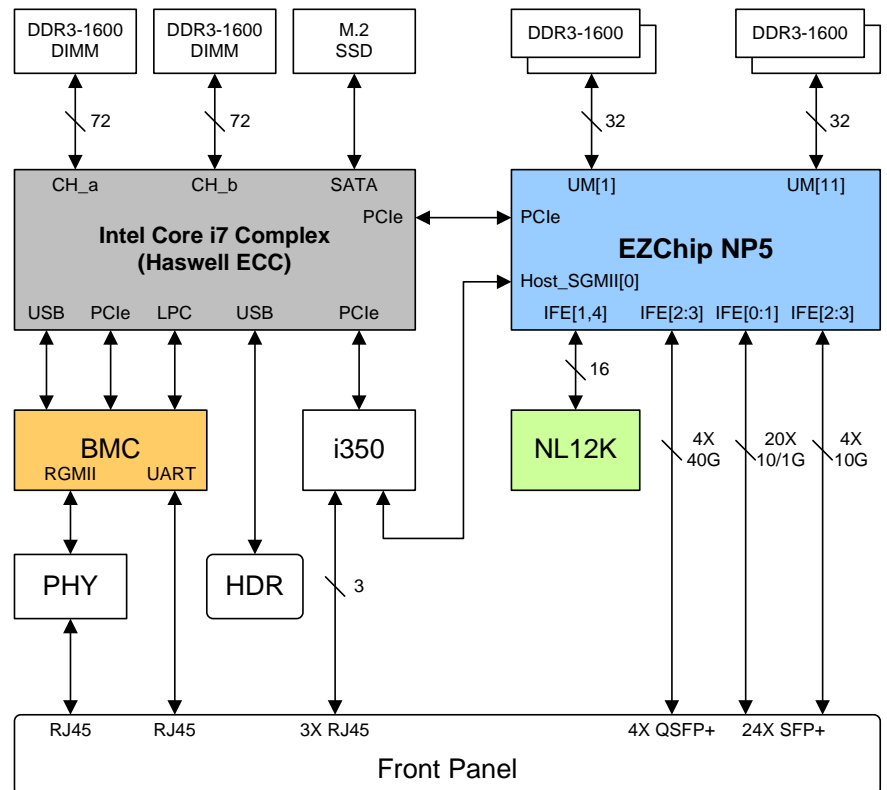
Optional: PARPRO can license a middleware library package suitable for implementing SDN applications, packet filtering, load balancing, or other network applications.



▶ KEY FEATURES

- ◆ EZchip NP-5 NPU
- ◆ Intel Core i7-4700EQ 2.4GHz Quad Core CPU
- ◆ Four 40GE QSFP+ ports
- ◆ Baseboard Management Controller

▶ BLOCK DIAGRAM





N5R-100

EZchip NP-5 Packet Inspection Appliance

▶ SPECIFICATIONS

Network Processing Unit (NPU)	<p>EZchip NP-5 network processor complex features:</p> <ul style="list-style-type: none"> • 240Gbps traffic manager with up to 480Gbps peak processing data path and CoS classification • 12GB Unified DDR3-1600 external memory • 100G/40G/10G/1G configurable SerDes • Broadcom NL12K TCAM on x16 Interlaken-LA interface
Server Processor	<p>Intel Core i7-4700EQ processor</p> <ul style="list-style-type: none"> • Quad core 2.4GHz • 16GB dual channel x72 DDR3-1600 ECC memory • 32GB M.2 SATA SSD
Chassis Management	<p>Equipped with standard board management controller (BMC)</p> <p>Interfaces:</p> <ul style="list-style-type: none"> • 10/100/1000M Ethernet port on front panel for remote access • RJ45 serial console port on front panel <p>Functions:</p> <ul style="list-style-type: none"> • Remote power and reset control, • Remote KVM capability • Platform temperature, fan, and power supply monitoring
Front Panel I/O	<p>EZchip NP-5 network processor:</p> <ul style="list-style-type: none"> • 20x SFP+ cages for 10GE, 1G, 100M and 10M connectivity • 4x SFP+ cages for 10GE connectivity • 4x 40GE QSFP+ cages <p>Intel Core i7-4700EQ server processor:</p> <ul style="list-style-type: none"> • 3x 10/100/1000BaseT RJ45 Ethernet • EIA-232 serial console (to BMC mux) • USB Type-A host interface <p>Baseboard management controller:</p> <ul style="list-style-type: none"> • 10/100/1000BaseT RJ45 Ethernet for remote access • RJ45 serial console port
Mechanical	<ul style="list-style-type: none"> • EIA/TIA standard 19" rack mount in 1U high and ~16" deep • Rack Slides and Mid mount options supported • Dual Redundant 90~264VAC/40~72VDC Power supplies • Field serviceable and reversible cooling
Environmental	<ul style="list-style-type: none"> • Operating temperature range: 0 to 40 °C • Humidity: 0 to 95% (non-condensing) • Typical power consumption: ~350W
Regulatory	<p>Designed and manufactured to meet the following requirements:</p> <ul style="list-style-type: none"> • FCC Class A • CE • IEC 60950 <p>Company will get certifications as required to meet specific customer requirements.</p>

© PES v2.01



PARPRO Embedded Systems
(formerly JumpGen Systems)
 2141 Palomar Airport Road, Suite 350
 Carlsbad, CA 92011

Phone: 760-931-7800
 Fax: 760-931-7810
 E-mail: sales@parpro.com
 Web: PARPRO.COM