

CIG CS6436-56P OCP Switch Contribution

Harrison Zou
Cambridge Industries USA, Inc.



Contribution Overview

- Cambridge Industries is contributing a Nephos Taurus based 1RU 2.4Tbps Data Center Switch design (48 25GE SFP28 + 8 100GE QSFP28)



NETWORKING



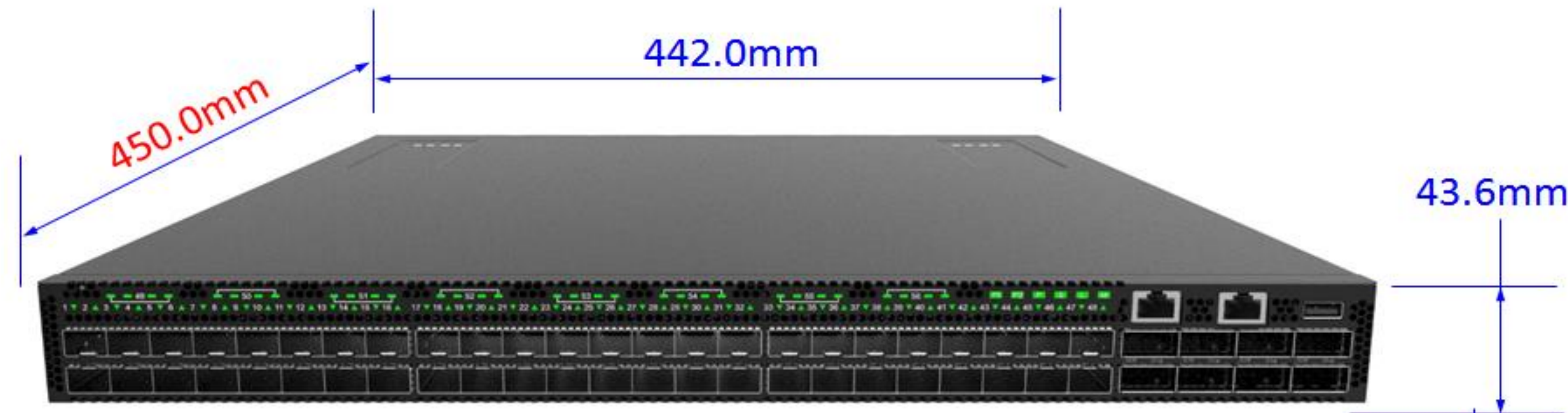
Specifications



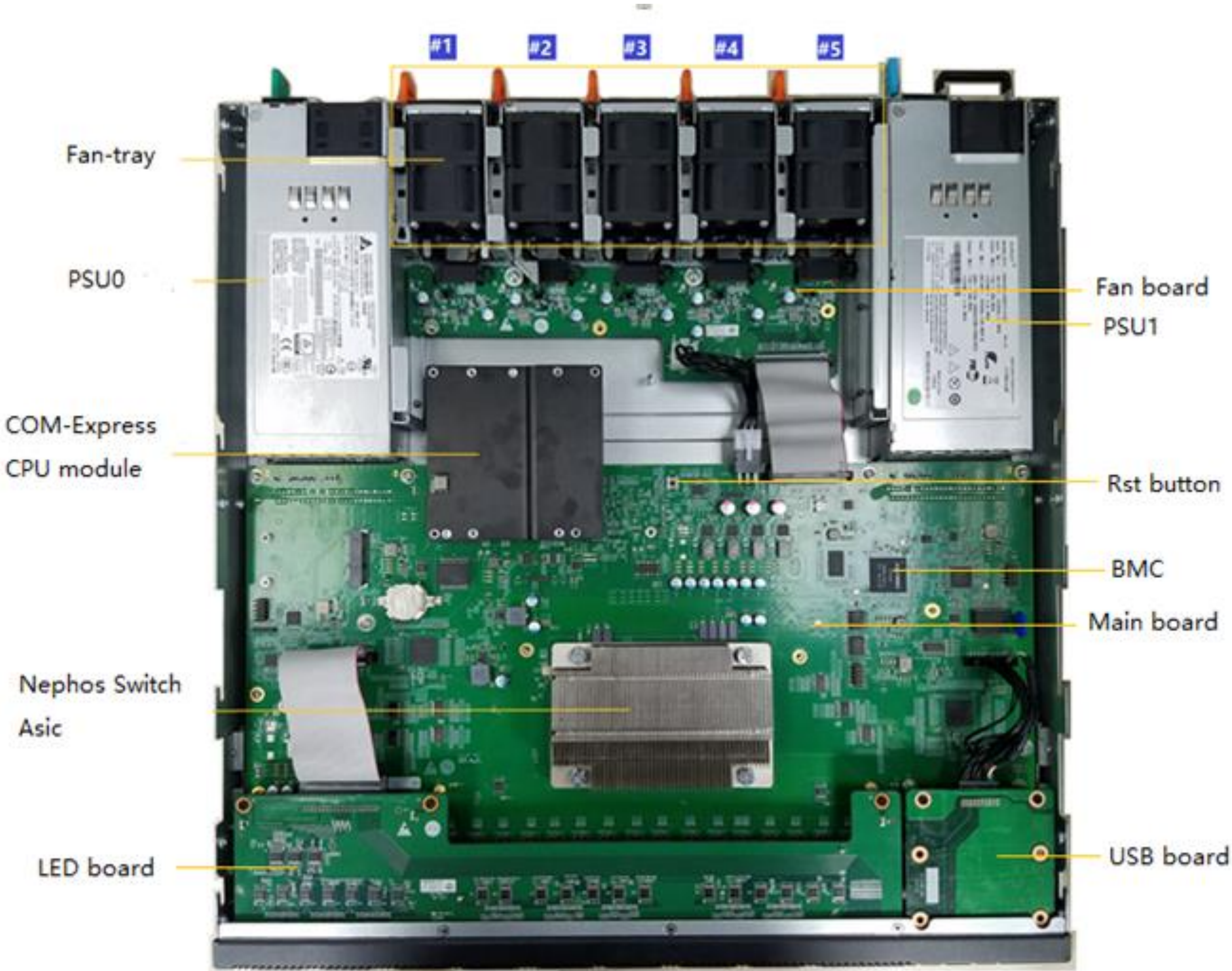
Embedded
Software

CS6436-56P Data Center Switch

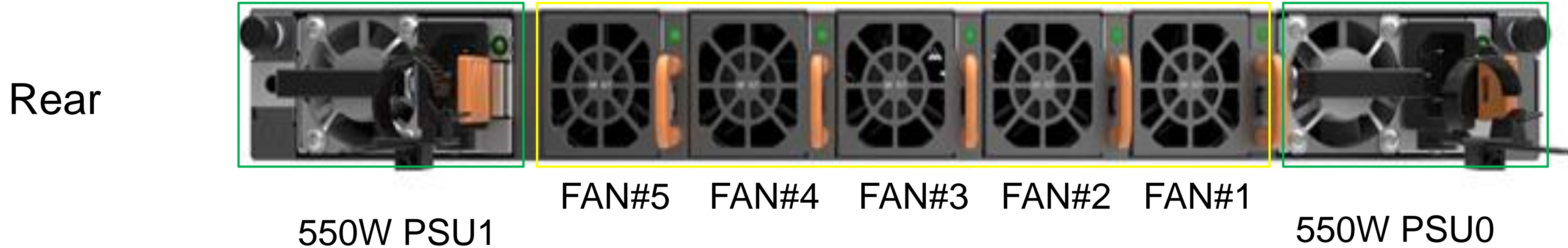
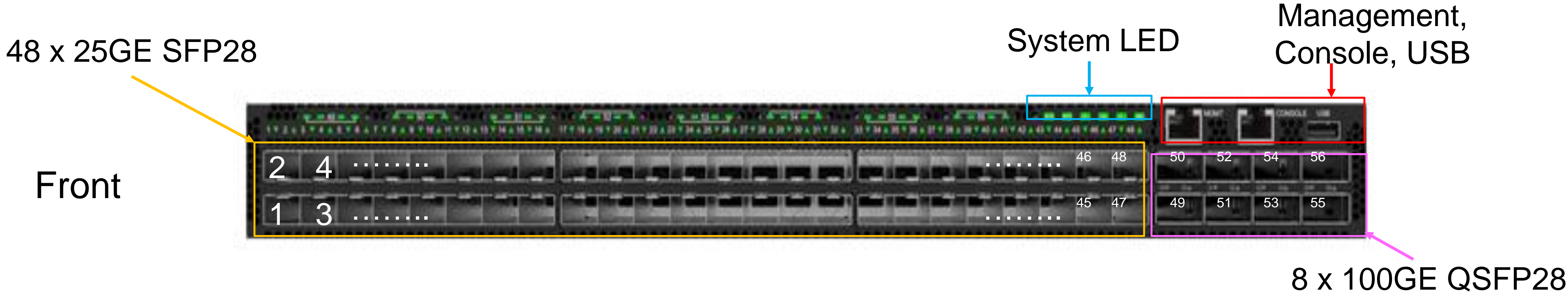
- Nephos Taurus device
 - ▶ 2.4Tbps performance
 - ▶ Programmable packet processing
 - ▶ 24MB packet buffer
 - ▶ Low cut-through latency
 - ▶ DoS protection
- COM-E CPU module
 - ▶ Option1
 - Intel Atom processor x5-E3940, 4 cores , 1.8GHz
 - 8GB DDR3L SODIMM with ECC
 - 64GB eMMC5.0 Flash
 - ▶ Option2
 - Intel Denverton C3758, 8 cores, 2.2GHz
 - Integrated QuickAssist Technology
 - 32GB DDR4 SODIMM with ECC
- 48 25GE SFP28 + 8 100GE QSFP28
- Front panel management and debug Ifs
 - ▶ 10/10/1000 RJ45 GE management
 - ▶ Console
 - ▶ Type A USB2.0
- AST2520 BMC support



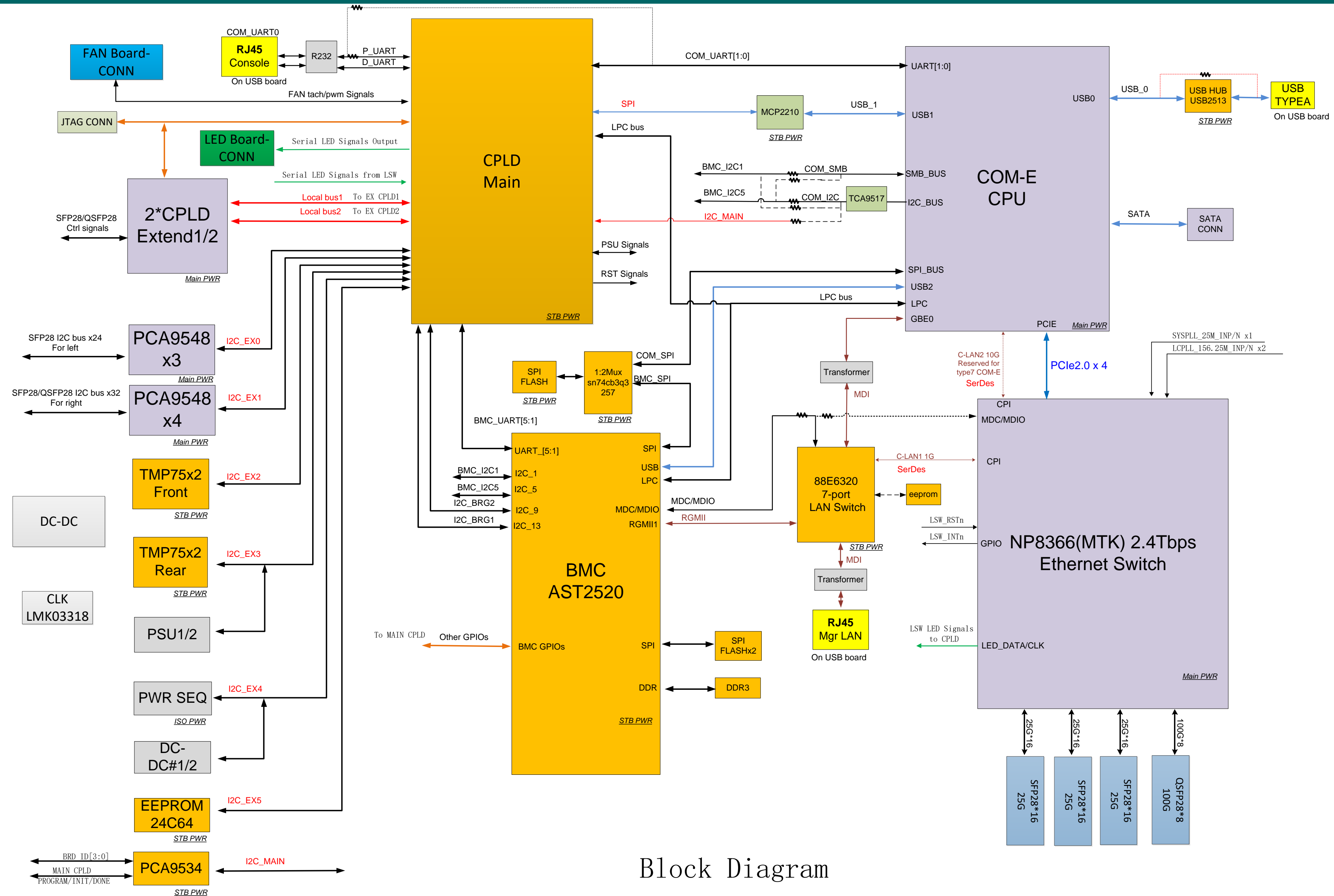
CS6436-56P Overview



CS6436-56P Overview



CS6436-56P Block Diagram



Block Diagram

Contribution Summary

- Hardware Design Spec
- Software Support
 - ▶ ONIE ([link](#) to GitHub)
 - ▶ Open Network Linux
 - ▶ SONIC ([link](#) to GitHub)



Thank You