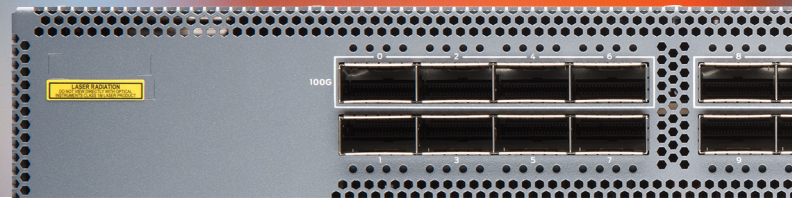


QFX5200 Switch



Product Overview

The QFX5200 fixed-configuration access switches are ideally suited for leaf deployments in next-generation IP fabric networks. They feature extra low latency, a built-in hardware-based PTP module, and line-rate, high-density QSFP+/QSFP28 ports that support 10GbE, 25GbE, 40GbE, 50GbE, and 100GbE connections. Offering an advanced L2, L3, and MPLS feature set, network operators can use the QFX5200 to build large, high-density IP fabrics that support upgrades to 25GbE servers, network virtualization, and intelligent traffic forwarding based on proven, Internet-scale technology. The QFX5200 also supports a disaggregated version of Junos software that lets users install third-party applications and tools on the switch.

Product Description

Network operators are increasingly deploying scale-out, spine-and-leaf IP fabric architectures, built with fixed-configuration switches to support growing east-west traffic in the data center. The Juniper Networks® QFX5200 line of next-generation, fixed-configuration leaf/access switches offers flexible, cost-effective, high-density 10GbE, 25GbE, 40GbE, 50GbE, and 100GbE interfaces for server and intra-fabric connectivity, providing deployment versatility, investment protection, and future-proofing for today's data centers.

In addition to leaf deployments in IP fabric architectures, QFX5200 switches are also a great fit for Juniper Networks Junos® Fusion fabrics and multitier, multichassis link aggregation (MC-LAG) network implementations commonly used in enterprise networks. Extra low latency, combined with built-in hardware-based Precision Time Protocol (PTP) support, also makes the QFX5200 ideal for financial services applications.

Like other QFX Series switches, the QFX5200 supports advanced Layer 2, Layer 3, network overlay, and MPLS features. The options for network overlay on the QFX5200 are abundant, including OVSDB-VXLAN, EVPN-VXLAN, MPLS, generic routing encapsulation (GRE), and more. For large public cloud providers—among the first to adopt 25GbE servers to meet explosive workload growth—the QFX5200 enables very large, dense, and fast IP fabrics supporting multitenancy and intelligent traffic forwarding based on proven, Internet scale technology.

The QFX5200 runs the same reliable, high-performance Juniper Networks Junos operating system used by network operators around the world. The QFX5200 supports a disaggregated version of Junos software that gives users the option to freely install third-party applications and tools on the switch. The modularity of the open Junos architecture also allows the QFX5200's control plane and data plane processes and functions, such as high-frequency analytics streaming, to run in parallel, maximizing utilization of the high-performance quad-core CPU. These individual functions are directly accessible through normalized programmable APIs for easy integration with guest applications, SDN controllers, and orchestration tools to meet advanced data forwarding and network monitoring needs.

QFX5200 Models

Two versions of the QFX5200 switch are available:

- **QFX5200-32C:** A compact, 1 U platform featuring 32 quad small form-factor pluggable plus transceiver (QSFP+) or QSFP28 ports, two redundant 850 W AC/DC power supplies, and five fan trays
- **QFX5200-64Q:** A 2 U platform featuring 64 QSFP+ ports or 32 QSFP28 ports, two redundant 1,600 W AC/DC power supplies, and three fan trays

A QSFP28 module can be used for a 1x100GbE connection or 2x50GbE or 4x25GbE connections using breakout cables. A QSFP+ module can be used for a 1x40GbE connection or 4x10GbE connections using breakout cables.

The QFX5200-32C and QFX5200-64Q both feature a high throughput 3.2 Tbps Packet Forwarding Engine (PFE). Control plane performance is further enhanced with a powerful 1.8 GHz quad core Intel CPU with 16 GB of memory and 64 GB SSD storage.

Product Highlights

The QFX5200 includes the following capabilities. Please refer to the Specifications section for currently shipping features vs. those planned for a future software release.

- **High-density configurations:** Offering 32 ports of 100GbE (QFX5200-32C and QFX5200-64Q) or 64 ports of 40GbE (QFX5200-64Q), and delivering 3.2 Tbps line-rate switching performance with latency as low as 500 ns, QFX5200 switches are optimized for high-density fabric deployments.
- **Flexible connectivity options:** The QFX5200 offers a choice of 10GbE, 25GbE, 40GbE, 50GbE, and 100GbE interface speeds for server and intra-fabric connectivity on both platforms, providing deployment versatility and investment protection.
- **Open, standards-based Junos software architecture:** The QFX5200 provides open access to the standard Linux kernel to install third-party Linux RPM packages and create guest containers and virtual machines (VMs) with central resource management and programmable APIs to switch control and data plane functions.
- **Disaggregated hardware and software model:** Customers have the option of enabling the Junos OS by separately purchasing a Junos Base Services, Advanced Services or Premium Services license, or purchasing QFX5200 hardware only and running their own software. Junos OS software services are available as both perpetual and subscription license offerings.
- **Rich automation capabilities:** The QFX5200 switches support Python, Chef, Puppet, and Zero Touch Provisioning (ZTP).
- **High availability:** Topology-independent in-service software upgrade (TISSU) and fast reboot ensure high network availability during a switch update.

- **Automation:** Proactive application/flow path analysis, real-time monitoring, and network analytics streaming are available via the Juniper Networks Cloud Analytics Engine.
- **Rich overlay networking support:** The QFX5200 switches support a Virtual Extensible LAN (VXLAN) gateway managed by VMware NSX and OpenContrail controllers via Open vSwitch Database (OVSDB), and also Ethernet VPN (EVPN) VXLAN, MPLS, and GRE.
- **Advanced Junos OS features:** The QFX5200 switches support features such as BGP add-path, MPLS, L3 VPN, IPv6 Provider Edge (6PE), and Fibre Channel over Ethernet (FCoE).

QFX5200 Deployment Options

The following table depicts some of the many QFX5200 deployment possibilities.

Port Combinations	Switch	Deployment
128x25GbE	QFX5200-32C	Leaf
64x40GbE	QFX5200-64Q	Leaf
64x25GbE + 16x100GbE	QFX5200-32C	25GbE access
36x40GbE + 14x100GbE	QFX5200-64Q	40GbE access
96x10GbE + 8x100GbE	QFX5200-32C	10GbE access

Architecture and Key Components

The QFX5200 supports a diverse set of deployment options, including L3 fabrics, Juniper Networks Junos Fusion, and L2 and L3 networks with MC-LAG. Customers can choose the architecture that best suits their deployment needs and easily adapt and evolve as requirements change over time. The QFX5200 switches serve as the universal building block for all of these switching architectures, enabling data center operators to build cloud networks their way.

- **Layer 3 Fabric:** For customers looking to build scale-out data centers, a Layer 3 spine-and-leaf Clos fabric is ideal due to its predictable, nonblocking performance and scale characteristics. For example, a two-tier fabric built with QFX5200 switches as leafs and Juniper Networks QFX10000 switches as the spine can scale to support up to 18,432 40GbE ports, or 36,864 25GbE or 10GbE server ports in a single fabric.
- One of the most complicated tasks in building an IP fabric is assigning all of the implementation details, including IP addresses, BGP autonomous system (AS) numbers, routing policies, loopback address assignments, and many others. Automating the creation of an IP fabric at a large scale is equally difficult. To address these challenges, Juniper has created the OpenClos project to provide free and open-source tools that automate the creation of IP fabrics in the data center. A set of Python scripts developed as an open-source project that live on GitHub, OpenClos takes a set of inputs that describe the shape and size of a data center and outputs switch configuration files, as well as a cabling plan.

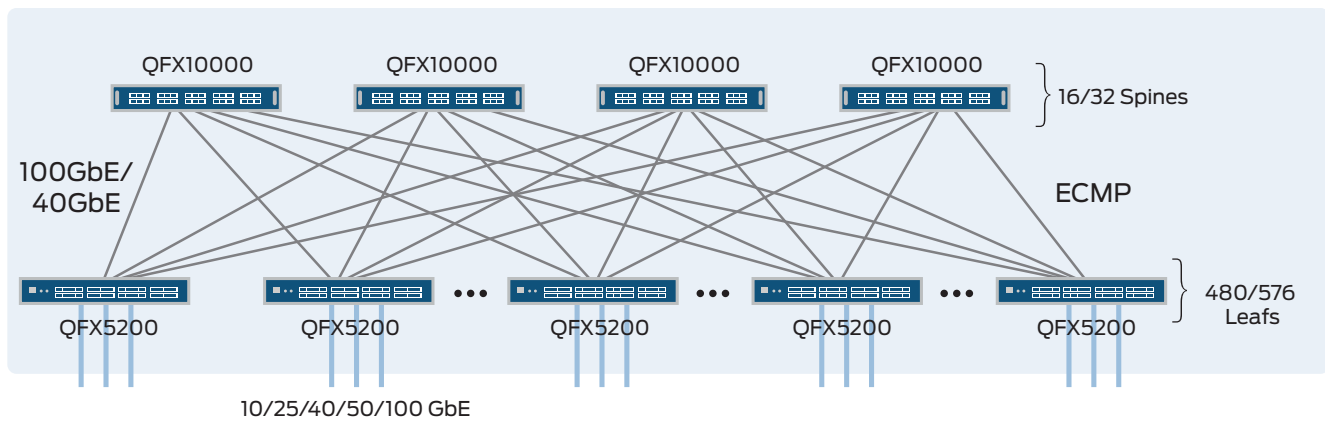


Figure 1: Layer 3 fabric using QFX5200 as leafs and QFX10000 switches as the spine

- Junos Fusion:** As an IEEE 802.1Br standards-based Ethernet fabric, Junos Fusion is ideal for mid-to-large data center customers who want simplicity at scale. Junos Fusion provides an open, easy-to-deploy fabric with a single point of management and automated device configuration. The QFX5200 can be added to Junos Fusion deployments as “satellite” devices with 100GbE uplinks to “aggregation” devices. The QFX5200 “satellite” device provides flexible 10GbE, 25GbE, 40GbE, and 50GbE server connectivity options.
- MC-LAG:** The QFX5200 supports the MC-LAG protocol between two switches to eliminate Spanning Tree Protocol (STP) in traditional L2 networks when deployed in the aggregation layer. The active/active operation of MC-LAG ensures complete bandwidth utilization between the network’s access and aggregation layers, while the dual control plane technology ensures the highest availability for applications.
- Overlays:** Overlays are increasingly used to create virtual networks to connect resources across the data center and isolate traffic and address space between different virtual networks while keeping the physical network relatively simple. With the QFX5200, users can deploy overlay networks over L3 fabrics as well as over Junos Fusion and MC-LAG deployments in the future. VXLAN overlay networks can be built without a controller using EVPN as the control plane technology, or they can be orchestrated through VMware NSX or OpenContrail using OVSDB as the control and management plane technology. As public clouds grow bigger and more ubiquitous, overlay solutions that support multitenancy at Internet scale will be required. The QFX5200 supports MPLS in the data center, enabling SDN controllers to encode the network path in MPLS labels using segment routing for per-flow SLA guarantees, intelligent traffic forwarding, and service chaining.

Disaggregated Junos Software

The QFX5200 supports a disaggregated version of Junos software, which gives customers the option to innovate along with Juniper to accelerate the pace of network automation and feature deployment. Using a container approach, the Juniper Device Manager software tool on the QFX5200 provides open access to the standard Linux kernel that is the basis of the QFX5200 software stack while protecting critical control, data and management plane functions on the switch. Users can selectively install third-party Linux RPM packages and create guest containers and VMs on the QFX5200. Guest applications can communicate with each other and with external controllers, as well as program Junos control and data planes and platform components through programmable APIs to implement specific and unique network forwarding and management functions. These applications can also automate management and control by integrating with SDN controllers and orchestration tools.

Carrier-Class Network Operating System

The QFX5200 runs the same Junos OS used by all other Juniper Networks QFX Series and EX Series Ethernet Switches, as well as the Juniper routers that power the world’s largest and most complex networks.

By using a common operating system, Juniper delivers a consistent implementation and operation of control plane features across all products. Junos OS employs a highly available modular architecture that prevents isolated failures from bringing down an entire system. Key Junos OS features that enhance the functionality and capabilities of the QFX5200 include:

- Software modularity, with process modules running independently in their own protected memory space and with the ability to do process restarts
- Uninterrupted routing and forwarding, with features such as nonstop routing (NSR) and nonstop bridging (NSB)
- Commit and rollback functionality, which ensures error-free network configurations
- A powerful set of scripts for on-box problem detection, reporting, and resolution

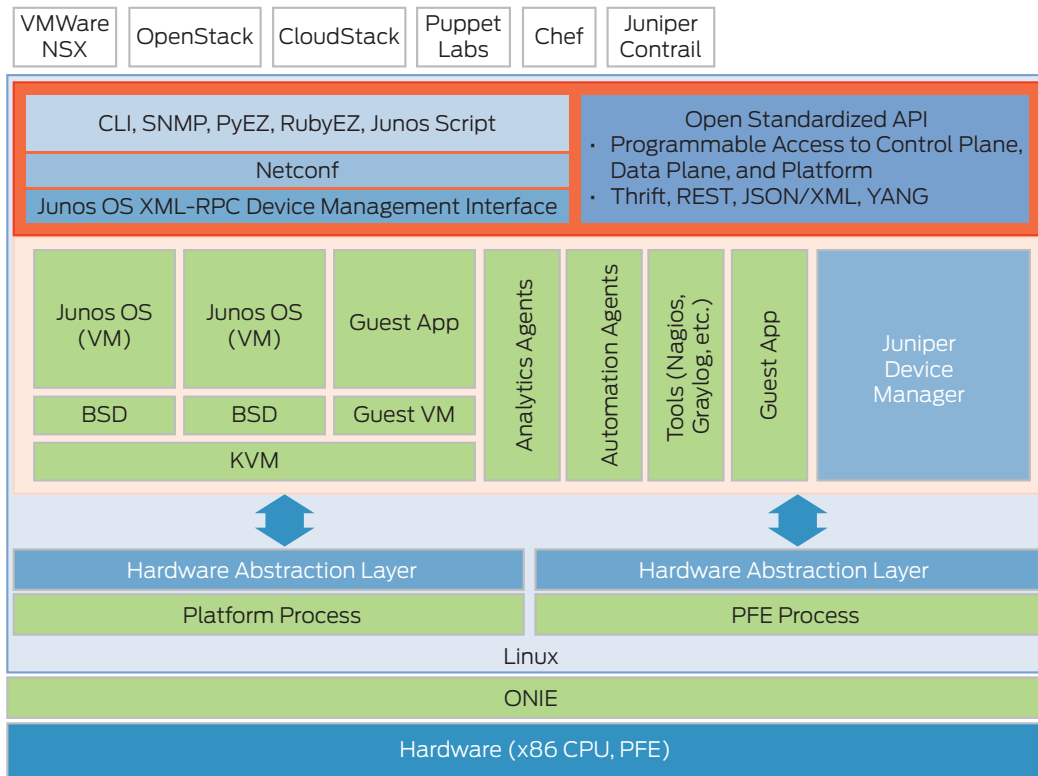


Figure 2: Disaggregated Junos software infrastructure

Cloud Analytics Engine

The QFX5200 supports Juniper Networks Cloud Analytics Engine, a modern analytics tool designed for complex, dynamic data centers of any size. Using network data analysis to improve application performance and availability, Cloud Analytics Engine performs data collection, correlation, and visualization to help customers monitor and troubleshoot workload and application behavior across the physical and virtual network infrastructure.

Cloud Analytics Engine provides these major capabilities:

- Application visibility and performance management, by automating discovery and analysis of application and workload flow path through the network
- Capacity planning and optimization, by proactively detecting hotspots and monitoring latency and microbursts
- Troubleshooting and root cause analysis, by high frequency monitoring and correlating overlay and underlay networks

Junos Space Network Director

The QFX5200 can be managed through Juniper Networks Junos Space Network Director, a next-generation network management solution that allows users to visualize, analyze, and control the entire enterprise network—data center and campus, physical and virtual—through a single pane of glass. Network Director incorporates sophisticated analytics for real-time intelligence, trended monitoring, and automation to increase agility and ensure faster rollout and activation of services.

For cloud deployments, Network Director provides a set of REST APIs that enable on-demand and dynamic network services by simplifying the consumption of services for multitenant environments. With third-party cloud orchestration tool integration, the Network Director API enables automation and provisioning of L2, L3, and security services in the data center without the need for manual operator intervention.

Features and Benefits

- **Topology-Independent In-Service Software Upgrade (TISSU):** On the QFX5200, two instances of Junos OS VMs run in a Linux-based virtualized environment, one in active mode and the other in standby mode. During a software upgrade, the switch seamlessly moves from the active Junos VM running the current software version to the second standby VM running the newer version while maintaining intact data plane traffic. This true topology-independent ISSU—an industry-first for a fixed-configuration, single CPU top-of-rack switch—is supported across all Layer 2 and Layer 3 protocols, and does not require any other switch to perform an image upgrade.
- **Fast Reboot:** The innovative fast reboot feature minimizes traffic disruption and maximizes network availability during a QFX5200 system reboot. With Fast Reboot, the primary Junos VM on the QFX5200 stays active to maintain traffic forwarding while the secondary Junos VM initiates. Traffic is only impacted during the brief period when control is

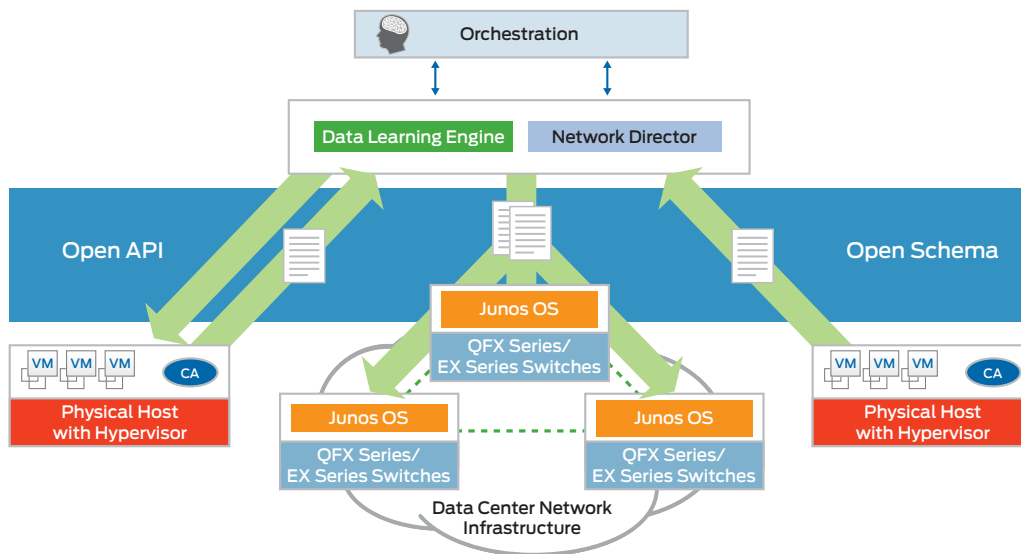


Figure 3: Juniper Networks Cloud Analytics Engine

handed off from one VM to the other and the system configuration is restored. For 12,000 IPv4 routes, for instance, traffic forwarding stops for less than 30sec.

- Automation and Programmability:** Juniper Device Manager on the QFX5200 provides central resource management and logging support for guest applications. It also performs a networking service between on-switch guest applications and with external controllers. Guest applications can program the Junos OS control plane, as well as data plane and platform components such as analytics streaming agent, fan, and power supplies directly through normalized programmable APIs. The normalized programmable APIs have a stable abstraction so that the user's applications can work across Juniper platforms as well as future Junos OS releases. Based on Apache Thrift, the QFX5200 supports standardized API definitions via Interface Description Language (IDL) while allowing users to employ their favorite programming language.

The QFX5200 also supports additional network automation features, including operations and event scripts, automatic rollback, ZTP, and Python scripting. The switches also integrate with VMware NSX, OpenContrail, Puppet, Chef, OpenStack, and CloudStack.

- Flexible Forwarding Table:** The QFX5200's Flexible Forwarding Table (FFT) allows the hardware table to be carved into configurable partitions of Layer 2 media access control (MAC), Layer 3 host, and longest prefix match (LPM) tables. In a pure L2 environment, the QFX5200 supports 136,000 MAC addresses. In L3 mode, the table supports 104,000 host entries, while in LPM mode, it supports 128,000 prefixes. A filter-based forwarding mode supports 64,000 exact match filtering rules. Junos OS provides configurable options through a CLI, enabling each QFX5200 to be optimized for different deployment scenarios.

- High-frequency analytics streaming:** The QFX5200 supports API-based analytics streaming in Java Script Object Notation (JSON) format down to the millisecond. This enables microbursts to be captured and provides dynamic buffer utilization monitoring and reporting. Streaming is configured via JSON-based schema RPC requests over HTTP. The Cloud Analytics Engine Data Learning Engine (DLE) centrally collects the analytics and provides a central data store. Orchestration applications can consume data stored on DLE via REST API for analysis and visual representation for better network design decisions and network hotspot identification. The QFX5200 also supports wire-speed sFlow technology by port mirroring sampled packets directly to a remote collecting agent.
- Flow path analysis:** QFX5200 supports the Cloud Analytics Engine's automated application flow path analysis by responding to application probe packets with probe ingress and egress timestamps and rich network statistics such as ingress interface, hash computed egress interface, queue stats, interface error, bandwidth utilization at ingress, equal-cost multipath (ECMP) group load distribution, and more. The QFX5200 also reports underlay network path information and overlay tunnel bandwidth utilization on the switch in response to overlay probe packets for overlay and underlay correlation.
- MPLS:** The QFX5200 supports a broad set of MPLS features, including L3 VPN, 6PE, RSVP traffic engineering, LDP, BGP-LU, and segment routing to support standards-based multitenancy and network virtualization with per-flow SLAs at scale and egress peer engineering. The QFX5200 can also be deployed as a low-latency MPLS label-switching router (LSR) or MPLS provider edge (PE) router in smaller scale environments. The QFX5200 and the Juniper Networks QFX5100 switch are the industry's most compact, low-latency, high-density, low power family of switches to offer an MPLS feature set.

- VXLAN:** The QFX5200 supports Layer 2 VXLAN gateway services for connected bare-metal servers or for controller-less overlay networks with EVPN. The QFX5200 integrates with NSX and OpenContrail through data plane (VXLAN) and control plane (OVSDB) protocols while unifying the management plane.
- FCoE:** As a Fibre Channel over Ethernet (FCoE) transit switch, the QFX5200 provides an IEEE data center bridging (DCB) converged network between FCoE-enabled servers and an FCoE-to-FC gateway or FCoE-enabled Fibre Channel storage area network (SAN). The QFX5200 offers a full-featured DCB implementation that provides strong monitoring capabilities on the top-of-rack switch for SAN

and LAN administration teams to maintain clear separation of management. In addition, FCoE Initialization Protocol (FIP) snooping provides perimeter protection, ensuring that the presence of an Ethernet layer does not impact existing SAN security policies. FCoE LAG support transports FCoE traffic and regular Ethernet traffic across the same link aggregation bundle over ports on a converged network adapter (CNA) while guaranteeing that the same physical link is used for an FCoE point-to-point virtual connection. The FCoE transit switch functionality, including priority-based flow control (PFC), enhanced transmission selection (ETS), and Data Center Bridging Capability Exchange (DCBX), are included as part of the default software.



QFX5200 Switch Specifications

Hardware

Table 1: QFX5200 System Capacity

	QFX5200-32C	QFX5200-64Q
System throughput	Up to 3.2 Tbps	Up to 3.2 Tbps
Forwarding capacity	Up to 2.4 Bpps	Up to 2.4 Bpps
QSFP+/QSFP28 ports	32 QSFP+ or QSFP28	64 QSFP+ or 32 QSFP28
SFP+/SFP28	128 10GbE SFP+ through QSFP+ to SFP+ breakout cable 128 25GbE SFP28 through QSFP28 to SFP28 breakout cable	128 10GbE SFP+ through QSFP+ to SFP+ breakout cable 128 25GbE SFP28 through QSFP28 to SFP28 breakout cable
Maximum 10GbE port density	128	128
Maximum 25GbE port density	128	128
Maximum 40GbE port density	32	64
Maximum 50GbE port density	64	64
Maximum 100GbE port density	32	32

Table 2: QFX5200 System Specifications

	QFX5200-32C	QFX5200-64Q
Dimensions (W x H x D)	17.36 x 1.72 x 20.48 in (44.09 x 4.37 x 52.02 cm)	17.36 x 3.46 x 21.47 in (44.09 x 8.8 x 54.54 cm)
Rack units	1 U	2 U
Weight	23.8 lb (10.8 Kg)	34 lb (15.4 Kg)
Operating system	Junos OS	Junos OS
CPU	Intel Quad Core Ivy Bridge 1.8 GHz CPU, 16 GB SDRAM, 64 GB SSD	
Management and PTP interfaces	1 RJ-45 1GbE port for PTP Grandmaster 2 SMB connectors, one for pulse per second (PPS) output and one for 10 MHz clock output 2 SFP and 1 RJ-45 10/100/1000 BASE-T for management (only two ports can be used) 1 RS-232 console port 1 USB 2.0 port	
Power	Redundant (1+1) hot-pluggable 850 W AC/DC power supplies 110-240 V single phase AC power -36 to -72 V DC power	Redundant (1+1) hot-pluggable 1600 W AC/DC power supplies 110-240 V single phase AC power -36 to -72 V DC power
Cooling	Front-to-back and back-to-front cooling Redundant (N+1) hot-pluggable fan modules with variable speed to minimize power draw	
Total packet buffer	16 MB	16 MB
Latency	As low as 500 nanoseconds	
Warranty	Juniper standard one-year warranty	

Software

Items marked with an asterisk (*) in the lists below are planned for a later release.

Performance Scale (Unidimensional)

- MAC addresses per system: 136,000
- VLAN IDs: 4,096
- Number of link aggregation groups (LAGs): 128
- Number of ports per LAG: 64
 - Number of FCoE VLANs/FC virtual fabrics: 4,095
- Firewall filters:
 - Ingress: 1,024 RAACL rules, 512 VAACL rules, 512 PAACL rules
 - Egress: 1,024 RAACL, VAACL and PAACL rules
- IPv4 unicast routes: 128,000 prefixes; 104,000 host routes
- IPv4 multicast routes: 52,000
- IPv6 multicast routes: 28,000
- IPv6 unicast routes: 98,000 prefixes; 52,000 host routes
- Address Resolution Protocol (ARP) entries: 32,000
- Generic routing encapsulation (GRE) tunnels: 1,024
- MPLS labels: 16,000
- MPLS IPv4 L3 VPNs (Premium Services License): 2,048
- Jumbo frame: 9,216 bytes
- Spanning Tree Protocol (STP)
 - Multiple Spanning Tree Protocol (MSTP) instances: 64
 - VLAN Spanning Tree Protocol (VSTP) instances: 253
- Traffic mirroring
 - Mirroring destination ports per switch: 4
 - Maximum number of mirroring sessions: 4
 - Mirroring destination VLANs per switch: 4

Layer 2 Features

- STP—IEEE 802.1D (802.1D-2004)
- Rapid Spanning Tree Protocol (RSTP) (IEEE 802.1w); MSTP (IEEE 802.1s)
- Bridge protocol data unit (BPDU) protect
- Loop protect
- Root protect
- RSTP and VSTP running concurrently
- VLAN—IEEE 802.1Q VLAN trunking
- Routed VLAN Interface (RVI)
- Port-based VLAN
- MAC address filtering
- Layer 2 protocol tunneling (L2PT)*
- Private VLAN (PVLAN)*
- QinQ
- VLAN translation
- Static MAC address assignment for interface
- Per VLAN MAC learning (limit)
 - MAC learning disable
 - Link Aggregation and Link Aggregation Control Protocol (LACP) (IEEE 802.3ad)
 - IEEE 802.1AB Link Layer Discovery Protocol (LLDP)

Link Aggregation

- Multichassis link aggregation (MC-LAG)
- Redundant Trunk Group (RTG)
- LAG load sharing algorithm—bridged or routed (unicast or multicast) traffic:

- IP: Session Initiation Protocol (SIP), Dynamic Internet Protocol (DIP), TCP/UDP source port, TCP/UDP destination port
- Layer 2 and non-IP: MAC SA, MAC DA, Ethertype, VLAN ID, source port
- FCoE packet: Source ID (SID), destination ID (DID), originator exchange ID (OXID), source port

Layer 3 Features

- Static routing
- RIP v1/v2
- OSPF v1/v2
- OSPF v3
- Filter-based forwarding
- Virtual Router Redundancy Protocol (VRRP)
- IPv6
- Virtual routers
- Unicast RPF (uRPF)
- Loop-free alternate (LFA)
- BGP (Advanced Services or Premium Services license)
- IS-IS (Advanced Services or Premium Services license)
- Dynamic Host Configuration Protocol (DHCP) v4/v6 relay
- VR-aware DHCP
- IPv4/IPv6 over GRE tunnels (interface-based with decap/encap and firewall-based with decap only)

Multicast

- Internet Group Management Protocol (IGMP) v1/v2
- Internet Group Management Protocol (IGMP) v3*
- Multicast Listener Discovery (MLD) v1/v2
- IGMP proxy, querier
- IGMP snooping
- MLD snooping
- Protocol Independent Multicast PIM-SM, PIM-SSM, PIM-DM, PIM-Bidir
- Multicast Source Discovery Protocol (MSDP)

Security and Filters

- Secure interface login and password
- RADIUS
- TACACS+
- Ingress and egress filters: Allow and deny, port filters, VLAN filters, and routed filters, including management port filters
- Filter actions: Logging, system logging, reject, mirror to an interface, counters, assign forwarding class, permit, drop, police, mark
- SSH v1, v2
- Static ARP support
- Storm control, port error disable, and autorecovery
- Control plane denial-of-service (DoS) protection
- Dynamic ARP inspection (DAI)*
 - Sticky MAC address*
- DHCP snooping

Quality of Service (QoS)

- L2 and L3 QoS: Classification, rewrite, queuing
- Rate limiting:
 - Ingress policing: 1 rate 2 color, 2 rate 3 color
 - Egress policing: Policier, policier mark down action
 - Egress shaping: Per queue, per port
- 10 hardware queues per port (8 unicast and 2 multicast)
- Strict priority queuing (LLQ), shaped-deficit weighted round-robin (SDWRR), weighted random early detection (WRED), weighted tail drop
- 802.1p remarking
- Layer 2 classification criteria: Interface, MAC address, Ethertype, 802.1p, VLAN
- Congestion avoidance capabilities: WRED
- Trust IEEE 802.1p (ingress)
- Remarking of bridged packets

MPLS (Premium Services License)

- Static label-switched paths (LSPs)
- RSVP-based signaling of LSPs
- LDP-based signaling of LSPs
- LDP tunneling (LDP over RSVP)
- MPLS class of service (CoS)
- MPLS access control list (ACL)/policers
- MPLS LSR support
- IPv6 tunneling (6PE)* (via IPv4 MPLS backbone)
- MPLS Operation, Administration, and Maintenance (OAM)—LSP ping*
- IPv4 L3 VPN (RFC 2547, 4364)
- MPLS fast reroute (FRR)
- Segment routing (BGP-LU, IS-IS)*

Server Virtualization Management and SDN-Related Protocols

- Junos Space Virtual Control
- IEEE 802.1Qbg (VEPA hairpin forwarding)
- VMware NSX VxLAN L2 Gateway* (Advanced Services or Premium Services license)
- OpenContrail VxLAN L2 Gateway* (Advanced Services or Premium Services license)
- VxLAN OVSDb* (Advanced Services or Premium Services license)
- EVPN-VxLAN* (Advanced Services or Premium Services license)
- OpenFlow 1.3 client*

Data Center Bridging (DCB)

- Priority-based flow control (PFC)—IEEE 802.1Qbb
- Enhanced Transmission Selection (ETS)—IEEE 802.1Qaz
- Data Center Bridging Exchange Protocol (DCBX), DCBx FCoE, and iSCSI type, length, and value (TLVs)

Fibre Channel over Ethernet (FCoE)

- FCoE transit switch (FIP snooping ACL installation)
- FCoE session path learning
- FCoE session health monitoring
- Graceful restart for FIP snooping
- FC-BB-6 VN2VN snooping

High Availability

- Topology-independent in-service software upgrade (TISSU)*
- Bidirectional Forwarding Detection (BFD)
- Uplink failure detection (UFD)
- Fast reboot

Timing

- Precision Timing Protocol (PTP)*
 - Transparent Clock
 - Boundary Clock

Visibility and Analytics

- Switched Port Analyzer (SPAN)
- Remote SPAN (RSPAN)
- Encapsulated Remote SPAN (ERSPAN)
- Cloud Analytics Engine flow path analysis
- Cloud Analytics Engine high frequency analytics streaming* (Advanced Services or Premium Services License)
- sFlow v5

Management and Operations

- Junos Space Network Director
- Juniper Device Manager for installing and managing third-party RPM, container, and VM*
- Normalized Apache Thrift programmable API*
- Role-based CLI management and access
- CLI via console, telnet, or SSH
- Extended ping and traceroute
- Junos OS configuration rescue and rollback
- Image rollback
- SNMP v1/v2/v3
- Junos XML management protocol
- High frequency statistics collection
- Beacon LED for port and system
- Automation and orchestration
- Zero Touch Provisioning (ZTP)
- OpenStack Neutron Plug-in
- Puppet
- Chef
- Python
- Junos OS event, commit, and OP scripts

Standards Compliance

IEEE Standards

- IEEE 802.1D
- IEEE 802.1w
- IEEE 802.1
- IEEE 802.1Q
- IEEE 802.1p
- IEEE 802.1ad
- IEEE 802.3ad
- IEEE 802.1AB
- IEEE 802.3x
- IEEE 802.1Qbb
- IEEE 802.1Qaz
- IEEE 802.1Qau*
- IEEE 802.1Qbg*

T11 Standards

- INCITS T11 FC-BB-5

Supported RFCs

- RFC 768 UDP
- RFC 783 Trivial File Transfer Protocol (TFTP)
- RFC 791 IP
- RFC 792 ICMP
- RFC 793 TCP
- RFC 826 ARP
- RFC 854 Telnet client and server
- RFC 894 IP over Ethernet
- RFC 903 RARP
- RFC 906 TFTP Bootstrap
- RFC 951 1542 BootP
- RFC 1058 Routing Information Protocol
- RFC 1112 IGMP v1
- RFC 1122 Host requirements
- RFC 1142 OSI IS-IS Intra-domain Routing Protocol
- RFC 1256 IPv4 ICMP Router Discovery (IRDP)
- RFC 1492 TACACS+
- RFC 1519 Classless Interdomain Routing (CIDR)
- RFC 1587 OSPF not-so-stubby area (NSSA) Option
- RFC 1591 Domain Name System (DNS)
- RFC 1745 BGP4/IDRP for IP—OSPF Interaction
- RFC 1772 Application of the Border Gateway Protocol in the Internet
- RFC 1812 Requirements for IP Version 4 routers
- RFC 1997 BGP Communities Attribute
- RFC 2030 SNTP, Simple Network Time Protocol
- RFC 2068 HTTP server
- RFC 2131 BOOTP/DHCP relay agent and Dynamic Host
- RFC 2138 RADIUS Authentication
- RFC 2139 RADIUS Accounting

- RFC 2154 OSPF w/Digital Signatures (Password, MD-5)
- RFC 2236 IGMP v2
- RFC 2267 Network ingress filtering
- RFC 2328 OSPF v2 (edge mode)
- RFC 2338 VRRP
- RFC 2362 PIM-SM (edge mode)
- RFC 2370 OSPF Opaque link-state advertisement (LSA) Option
- RFC 2385 Protection of BGP Sessions via the TCP Message Digest 5 (MD5) Signature Option
- RFC 2439 BGP Route Flap Damping
- RFC 2453 RIP v2
- RFC 2474 Definition of the Differentiated Services Field in the IPv4 and IPv6 Headers
- RFC 2597 Assured Forwarding PHB (per-hop behavior) Group
- RFC 2598 An Expedited Forwarding PHB
- RFC 2697 A Single Rate Three Color Marker
- RFC 2698 A Two Rate Three Color Marker
- RFC 2796 BGP Route Reflection—An Alternative to Full Mesh IBGP
- RFC 2918 Route Refresh Capability for BGP-4
- RFC 3065 Autonomous System Confederations for BGP
- RFC 3376 IGMP v3 (source-specific multicast include mode only)
- RFC 3392 Capabilities Advertisement with BGP-4
- RFC 3446, Anycast RP
- RFC 3569 SSM
- RFC 3618 MSDP
- RFC 3623 Graceful OSPF Restart
- RFC 4271 Border Gateway Protocol 4 (BGP-4)
- RFC 4360 BGP Extended Communities Attribute
- RFC 4456 BGP Route Reflection: An Alternative to Full Mesh Internal BGP (IBGP)
- RFC 4486 Subcodes for BGP Cease Notification Message
- RFC 4724 Graceful Restart Mechanism for BGP
- RFC 4812 OSPF Restart Signaling
- RFC 4893 BGP Support for Four-octet AS Number Space
- RFC 5176 Dynamic Authorization Extensions to RADIUS
- RFC 5396 Textual Representation of Autonomous System (AS) Numbers
- RFC 5668 4-Octet AS Specific BGP Extended Community
- RFC 5880 Bidirectional Forwarding Detection (BFD)
- Configuration Protocol (DHCP) server
- RFC 1850 OSPFv2 MIB
- RFC 1901 Introduction to Community-based SNMPv2
- RFC 2011 SNMPv2 for Internet protocol using SMIv2
- RFC 2012 SNMPv2 for transmission control protocol using SMIv2
- RFC 2013 SNMPv2 for user datagram protocol using SMIv2
- RFC 2233, The Interfaces Group MIB using SMIv2
- RFC 2287 System Application Packages MIB
- RFC 2570 Introduction to Version 3 of the Internet-standard Network Management Framework
- RFC 2571 An Architecture for describing SNMP Management Frameworks (read-only access)
- RFC 2572 Message Processing and Dispatching for the SNMP (read-only access)
- RFC 2576 Coexistence between SNMP Version 1, Version 2, and Version 3
- RFC 2578 SNMP Structure of Management Information MIB
- RFC 2579 SNMP Textual Conventions for SMIv2
- RFC 2580 Conformance Statements for SMIv2
- RFC 2665 Ethernet-like interface MIB
- RFC 2787 VRRP MIB
- RFC 2790 Host Resources MIB
- RFC 2819 RMON MIB
- RFC 2863 Interface Group MIB
- RFC 2932 IPv4 Multicast MIB
- RFC 3410 Introduction and Applicability Statements for Internet Standard Management Framework
- RFC 3411 An architecture for describing SNMP Management Frameworks
- RFC 3412 Message Processing and Dispatching for the SNMP
- RFC 3413 Simple Network Management Protocol (SNMP)—(all MIBs are supported except the Proxy MIB)
- RFC 3414 User-based Security Model (USM) for SNMPv3
- RFC 3415 View-based Access Control Model (VACM) for the SNMP
- RFC 3416 Version 2 of the Protocol Operations for the SNMP
- RFC 3417 Transport Mappings for the SNMP
- RFC 3418 Management Information Base (MIB) for the SNMP
- RFC 3584 Coexistence between Version 1, Version 2, and Version 3 of the Internet Standard Network Management Framework
- RFC 3826 The Advanced Encryption Standard (AES) Cipher Algorithm in the SNMP User-based Security Model
- RFC 4188 Definitions of Managed Objects for Bridges
- RFC 4318 Definitions of Managed Objects for Bridges with Rapid Spanning Tree Protocol
- RFC 4363b Q-Bridge VLAN MIB

Supported MIBs

- RFC 155 SMI
- RFC 1157 SNMPv1
- RFC 1212, RFC 1213, RFC 1215 MIB-II, Ethernet-Like MIB and TRAPs

Environmental Ranges

- Operating temperature: 32° to 104° F (0° to 40° C)
- Storage temperature: -40° to 158° F (-40° to 70° C)
- Operating altitude: Up to 10,000 ft. (3,048 m)
- Relative humidity operating: 5 to 90% (noncondensing)
- Relative humidity nonoperating: 5 to 95% (noncondensing)
- Seismic: Designed to meet GR-63, Zone 4 earthquake requirements

Maximum Thermal Output

- QFX5200-32C:
 - Maximum power draw: 480 W (AC, DC), 1,638 BTU/hr
 - Typical power draw: 380 W (AC, DC), 1,296 BTU/hr
- QFX5200-64Q:
 - Maximum power draw: 675 W (AC, DC), 2,303 BTU/hr
 - Typical power draw: 600 W (AC, DC), 2,047 BTU/hr

Safety and Compliance

Safety

- CAN/CSA-C22.2 No. 60950-1 Information Technology Equipment—Safety
- UL 60950-1 Information Technology Equipment—Safety
- EN 60950-1 Information Technology Equipment—Safety
- IEC 60950-1 Information Technology Equipment—Safety (All country deviations)
- EN 60825-1 Safety of Laser Products—Part 1: Equipment Classification

Electromagnetic Compatibility

- 47CFR Part 15, (FCC) Class A
- ICES-003 Class A
- EN 55022 Class A
- CISPR 22 Class A
- EN 55024
- CISPR 24
- EN 300 386
- VCCI Class A
- AS/NZS CISPR22 Class A
- KN22 Class A
- CNS 13438 Class A
- EN 61000-3-2
- EN 61000-3-3
- ETSI
- ETSI EN 300 019: Environmental Conditions & Environmental Tests for Telecommunications Equipment
- ETSI EN 300 019-2-1 (2000)—Storage
- ETSI EN 300 019-2-2 (1999)—Transportation
- ETSI EN 300 019-2-3 (2003)—Stationary Use at Weather-protected Locations
- ETSI EN 300 019-2-4 (2003)—Stationary Use at Non-Weather-protected Locations
- ETS 300753 (1997)—Acoustic noise emitted by telecommunications equipment

Environmental Compliance



Restriction of Hazardous Substances (ROHS) 6/6



China Restriction of Hazardous Substances (ROHS)



Registration, Evaluation, Authorisation and Restriction of Chemicals (REACH)



Waste Electronics and Electrical Equipment (WEEE)



Recycled material



80 Plus Silver PSU Efficiency

Telco

- Common Language Equipment Identifier (CLEI) code

Juniper Networks Services and Support

Juniper Networks is the leader in performance-enabling services that are designed to accelerate, extend, and optimize your high-performance network. Our services allow you to maximize operational efficiency while reducing costs and minimizing risk, achieving a faster time to value for your network. Juniper Networks ensures operational excellence by optimizing the network to maintain required levels of performance, reliability, and availability. For more details, please visit www.juniper.net/us/en/products-services.

Ordering Information

Model Number	Description
Switch Hardware	
Note: Base Services software license is not included with the hardware and is sold separately. .	
QFX5200-32C-AFI	QFX5200 (hardware only; software services sold separately), 32 QSFP+/QSFP28 ports, redundant fans, 2 AC power supplies, back-to-front airflow
QFX5200-32C-AFO	QFX5200 (hardware only; software services sold separately), 32 QSFP+/QSFP28 ports, redundant fans, 2 AC power supplies, front-to-back airflow
QFX5200-32C-DC-AFI	QFX5200 (hardware only; software services sold separately), 32 QSFP+/QSFP28 ports, redundant fans, 2 AC power supplies, back-to-front airflow
QFX5200-32C-DC-AFO	QFX5200 (hardware only; software services sold separately), 32 QSFP+/QSFP28 ports, redundant fans, 2 DC power supplies, front-to-back airflow
QFX5200-64Q-AFI	QFX5200 (hardware only; software services sold separately), 64 QSFP+/32 QSFP28 ports, redundant fans, 2 AC power supplies, back-to-front airflow
QFX5200-64Q-AFO	QFX5200 (hardware only; software services sold separately), 64 QSFP+/32 QSFP28 ports, redundant fans, 2 AC power supplies, front-to-back airflow
QFX5200-64Q-DC-AFI	QFX5200 (hardware only; software services sold separately), 64 QSFP+/32 QSFP28 ports, redundant fans, 2 DC power supplies, back-to-front airflow

Model Number	Description
QFX5200-64Q-DC-AFO	QFX5200 (hardware only; software services sold separately), 64 QSFP+/32 QSFP28 ports, redundant fans, 2 DC power supplies, front-to-back airflow
JPSU-850W-AC-AFI	Juniper 850 W AC power supply for QFX5100-96S and QFX5200-32C (power supply-side airflow intake)
JPSU-850W-AC-AFO	Juniper 850 W AC power supply for QFX5100-96S and QFX5200-32C (power supply-side airflow exhaust)
JPSU-850W-DC-AFI	DC 850 W power supply, back-to-front airflow for QFX5100-96S and QFX5200-32C
JPSU-850W-DC-AFO	DC 850 W power supply, front-to-back airflow for QFX5100-96S and QFX5200-32C
JPSU-1600W-AC-AFI	1600W AC power supply back-to-front airflow
JPSU-1600W-AC-AFO	1600W AC power supply front-to-back airflow
JPSU-1600W-DC-AFI	1600W DC power supply back-to-front airflow
JPSU-1600W-DC-AFO	1600W DC power supply front-to-back airflow
QFX5200-32C-FANAFI	QFX5200-32C fan module, back-to-front airflow
QFX5200-32C-FANAFO	QFX5200-32C fan module, front-to-back airflow
QFX5200-64Q-FANAFI	QFX5200-64Q fan module, back-to-front airflow
QFX5200-64Q-FANAFO	QFX5200-64Q fan module, front-to-back airflow
EX4500-4PST-RMK	4-post Rack Mount Kit for EX4500, QFX5100-96S and QFX5200-32C
EX-4PST-RMK	Adjustable 4-post rack-mount kit for EX, QFX5100 and QFX5200-64Q

Optics and Transceivers

QFX-SFP-10GE-USR	SFP+ 10GbE Ultra Short Reach Optics, 850 nm for 10m on OM1, 20m on OM2, 100m on OM3 multi-mode fiber
QFX-SFP-10GE-SR	SFP+ 10GBASE-SR 10GbE Optics, 850nm for up to 300m transmission on MMF
QFX-SFP-10GE-LR	SFP+ 10GBASE-LR 10GbE Optics, 1310nm for 10km transmission on SMF
QFX-SFP-10GE-ER	SFP+ 10GBASE-ER 10GbE Optics, 1550nm for 40km transmission on SMF
EX-SFP-10GE-ZR	SFP+ 10GBASE-ZR 10GbE Optics, 1550nm for 80km Transmission on SMF
QFX-SFP-DAC-1M	SFP+ 10GbE Direct Attach Copper (twinax copper cable) 1m
QFX-SFP-DAC-1MA	SFP+ 10GbE Direct Attach Copper (active twinax copper cable) 1m
QFX-SFP-DAC-3M	SFP+ 10GbE Direct Attach Copper (twinax copper cable) 3m
QFX-SFP-DAC-3MA	SFP+ 10GbE Direct Attach Copper (active twinax copper cable) 3m

Model Number	Description
QFX-SFP-DAC-5M	SFP+ 10GbE Direct Attach Copper (twinax copper cable) 5m
QFX-SFP-DAC-5MA	SFP+ 10GbE Direct Attach Copper (active twinax copper cable) 5m
QFX-SFP-DAC-7MA	SFP+ 10GbE Direct Attach Copper (active twinax copper cable) 7m
QFX-SFP-DAC-10MA	SFP+ 10GbE Direct Attach Copper (active twinax copper cable) 10m
JNP-QSFP-40GE-IR4	QSFP+ 40GBASE-IR4 40 gigabit optics, 1,310 nm for up to 2 km transmission on SMF
JNP-QSFP-40G-LR4	QSFP+ 40GBASE-LR4 40 gigabit optics, 1,310 nm for up to 10 km transmission on SMF
JNP-QSFP-40G-LX4	QSFP+ 40GBASE-LX4 40 gigabit optics, 100 m (150 m) with OM3 (OM4) duplex MMF fiber
JNP-QSFP-4X10GE-IR	QSFP+ 40GBASE optics, up to 1.4 km transmission on parallel single mode (4X10GbE long reach up to 1.4 km)
JNP-QSFP-4X10GE-LR	QSFP+ 40GBASE optics, up to 10 km transmission on parallel single mode (4X10GbE long reach up to 10 km)
QFX-QSFP-40G-ESR4	QSFP+ 40GBASE-ESR4 40 gigabit optic. 300 m (400 m) with OM3 (OM4) MMF
QFX-QSFP-40G-SR4	QSFP+ 40GBASE-SR4 40 gigabit optics, 850 nm for up to 150 m transmission on MMF
JNP-QSFP-DAC-10MA	QSFP+ to QSFP+ Ethernet direct attach copper (DAC) (twinax copper cable) 10 m active
JNP-QSFP-DAC-7MA	QSFP+ to QSFP+ Ethernet DAC (twinax copper cable) 7 m active
JNP-QSFP-DAC-5M	QSFP+ to QSFP+ Ethernet DAC (twinax copper cable) 5 m passive
QFX-QSFP-DAC-3M	QSFP+ to QSFP+ Ethernet DAC (twinax copper cable) 3 m passive
QFX-QSFP-DAC-1M	QSFP+ to QSFP+ Ethernet DAC (twinax copper cable) 1 m passive
EX-QSFP-40GE-DAC-50CM	40GbE QSFP+ 0.5m Direct-attach
JNP-QSFP-DACBO-10M	QSFP+ to SFP+ 10GbE direct attach break out copper (twinax copper cable) 10 m active
JNP-QSFP-DACBO-7MA	QSFP+ to SFP+ 10GbE direct attach break out copper (twinax copper cable) 7 m active
JNP-QSFP-DACBO-5MA	QSFP+ to SFP+ 10GbE direct attach break out copper (twinax copper cable) 5 m active
QFX-QSFP-DACBO-3M	QSFP+ to SFP+ 10GbE Direct Attach Break out Copper (twinax copper cable) 3m
QFX-QSFP-DACBO-1M	QSFP+ to SFP+ 10GbE Direct Attach Break out Copper (twinax copper cable) 1m
JNP-QSFP-100G-SR4	QSFP28 100GBASE-SR4 optics for up to 100 m transmission over parallel multimode fiber-optic (MMF)

Model Number	Description
JNP-QSFP-100G-LR4	QSFP28 100GBASE-LR4 optics for up to 10 km transmission over serial single-mode fiber-optic (SMF)
JNP-QSFP-100G-PSM4	QSFP28 100GBASE-PSM4 optics for up to 2 km transmission over parallel SMF
JNP-QSFP-100G-CWDM	QSFP28 100GBASE-CWDM4 optics for up to 2 km transmission over serial SMF

Software Licenses

Also available as a subscription-based offering in the future.

QFX5000-35-JBS	Base Services license for QFX5200
QFX5000-35-JAS	Advanced Services license for QFX5200
QFX5000-35-JPS	Premium services license for QFX5200

About Juniper Networks

Juniper Networks is in the business of network innovation. From devices to data centers, from consumers to cloud providers, Juniper Networks delivers the software, silicon and systems that transform the experience and economics of networking. The company serves customers and partners worldwide. Additional information can be found at www.juniper.net.

Corporate and Sales Headquarters
 Juniper Networks, Inc.
 1133 Innovation Way
 Sunnyvale, CA 94089 USA
 Phone: 888.JUNIPER (888.586.4737)
 or +1.408.745.2000
 Fax: +1.408.745.2100
www.juniper.net

APAC and EMEA Headquarters
 Juniper Networks International B.V.
 Boeing Avenue 240
 1119 PZ Schiphol-Rijk
 Amsterdam, The Netherlands
 Phone: +31.0.207.125.700
 Fax: +31.0.207.125.701

Copyright 2015 Juniper Networks, Inc. All rights reserved. Juniper Networks, the Juniper Networks logo, Junos and QFabric are registered trademarks of Juniper Networks, Inc. in the United States and other countries. All other trademarks, service marks, registered marks, or registered service marks are the property of their respective owners. Juniper Networks assumes no responsibility for any inaccuracies in this document. Juniper Networks reserves the right to change, modify, transfer, or otherwise revise this publication without notice.

JUNIPER
 NETWORKS